

ORDINANCE NO. \_\_\_\_\_

**AN ORDINANCE AMENDING THE SMALL WIRELESS COMMUNICATION FACILITY REGULATION TO APPROVE STREETLIGHT POLE ATTACHMENT DESIGN FOR SMALL WIRELESS FACILITIES; DECLARING AN EMERGENCY; AND FOR OTHER PURPOSES.**

WHEREAS, the North Little Rock City Council adopted the Small Wireless Communication Facility Regulation of the City of North Little Rock, Arkansas on July 23, 2018, with the adoption of Ordinance No. 9031, in order to provide a fair and predictable process for the deployment of small wireless communication facilities within the public rights-of-way; and

WHEREAS, an applicant has submitted an application for installation of a Wireless Communication Facility on a Streetlight Pole, the design of which has been approved by North Little Rock Electric Department (“NLRED”) staff (see photographic simulation attached hereto as Exhibit A); and

WHEREAS, NLRED staff have advised the design submitted by the applicant is appropriate for installation on Streetlight Poles and should be approved for future applications; and

WHEREAS, specific updates need to be made to the Regulation in order to recognize the approved design for installation on Streetlight Poles; and

WHEREAS, the City Council has found that it is in the best interest of the City and its residents that the Regulation be amended to recognize the submitted design as an approved design for installation on Streetlight Poles.

NOW, THEREFORE, BE IT ORDAINED BY THE CITY COUNCIL OF THE CITY OF NORTH LITTLE ROCK, ARKANSAS:

SECTION 1: That Appendix B to the Small Wireless Communication Facility Regulation is hereby amended to add **Appendix B-2: Streetlight Pole Attachment Design**, a copy of which is attached hereto as Exhibit B and incorporated herein by reference.

SECTION 2: That the copies of the Small Wireless Communication Facility Regulation on file in the office of the City Clerk, and on the City’s website, shall be updated to reflect the amendment set forth in this ordinance.

SECTION 3: That all ordinances or parts of ordinances in conflict herewith are hereby repealed to the extent of the conflict.

SECTION 4: That the provisions of this Ordinance are hereby declared to be severable, and if any section, phrase or provision shall be declared or held invalid, such invalidity shall not affect the remainder of the sections, phrases or provisions.

SECTION 5: That it is hereby determined and found that there is a need to update Small Wireless Communication Facility Regulation to recognize an approved design for installation of small wireless facilities on Streetlight Poles, and that the City and the residents thereof can best be served by the adoption of this Ordinance; THEREFORE, an emergency is hereby declared to exist, and this Ordinance being necessary for the immediate preservation of the public peace, health and safety, shall be in full force and effect from and after its passage and approval.

PASSED:

APPROVED:


\_\_\_\_\_

\_\_\_\_\_

Mayor Joe A. Smith

SPONSOR:

ATTEST:

  
\_\_\_\_\_  
Mayor Joe A. Smith *by A.F.*

\_\_\_\_\_

Diane Whitbey, City Clerk

APPROVED AS TO FORM:

  
\_\_\_\_\_  
Amy Beckman Fields, City Attorney

PREPARED BY THE OFFICE OF THE CITY ATTORNEY/ABF

|  |           |      |       |      |
|--|-----------|------|-------|------|
| FILED  | 10:30     | A.M. | _____ | P.M. |
| By   | A. Fields |      |       |      |
| DATE   | 1-8-19    |      |       |      |
| <b>Diane Whitbey, City Clerk and Collector<br/>North Little Rock, Arkansas</b> |           |      |       |      |
| RECEIVED BY  | Sussery   |      |       |      |





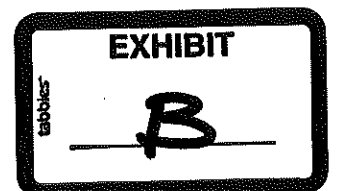
Existing



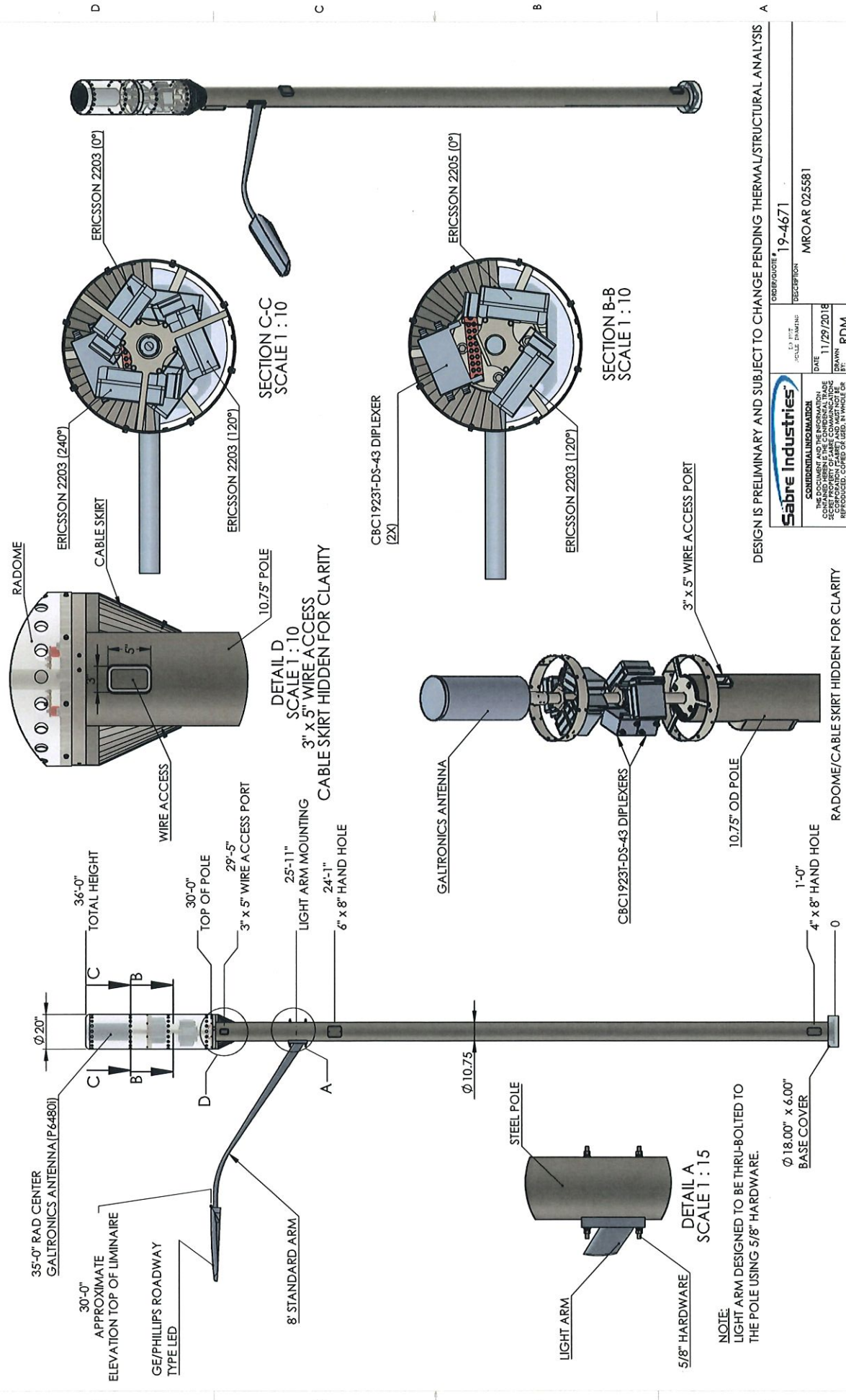
Proposed



## Appendix B-2: Streetlight Pole Attachment Design



8 7 6 5 4 3 2 1



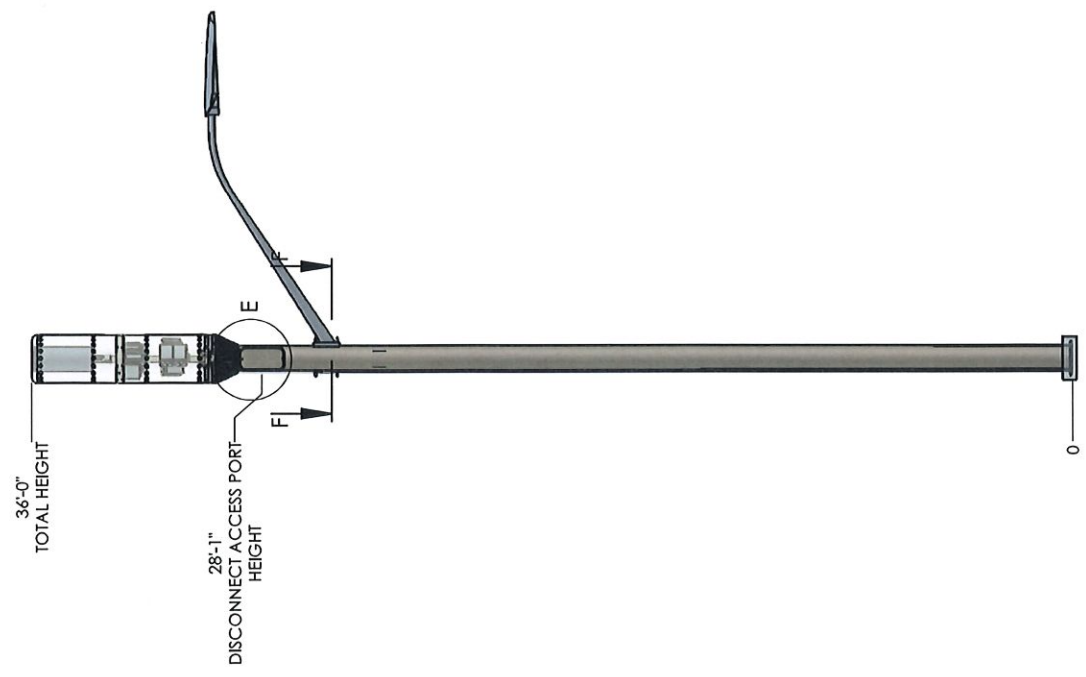
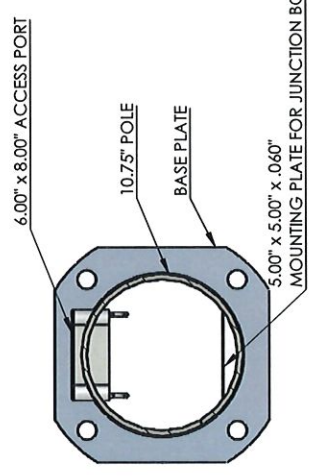
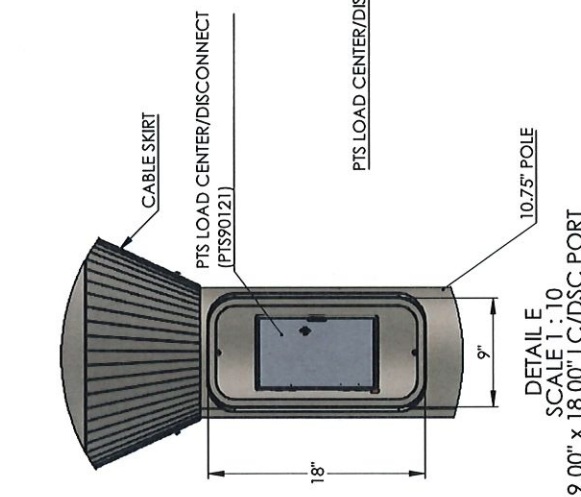
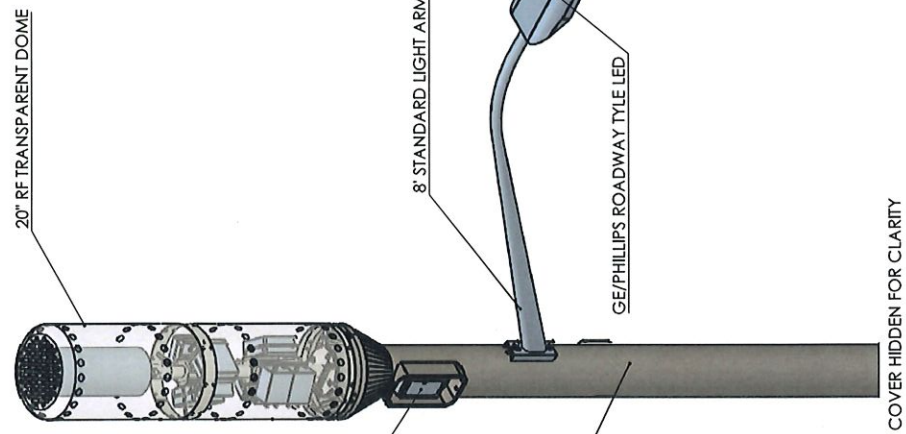
DESIGN IS PRELIMINARY AND SUBJECT TO CHANGE PENDING THERMAL/STRUCTURAL ANALYSIS

|                         |                   |
|-------------------------|-------------------|
| ORDER NUMBER            | 19-4671           |
| DESCRIPTION             | MROAR 025581      |
| SCALE                   | DRAWING           |
| DATE                    | 11/29/2018        |
| DRAWN BY                | RDM               |
| CHECKED BY              |                   |
| CUSTOMER                | MASTECCORPORATION |
| CUSTOMER PROJECT        | MASTECCORPORATION |
| CUSTOMER DRAWING NUMBER | MASTECCORPORATION |
| CUSTOMER SHEET NUMBER   | MASTECCORPORATION |
| CUSTOMER SHEET TOTAL    | MASTECCORPORATION |

8 7 6 5 4 3 2 1

NOTE:  
LIGHT ARM DESIGNED TO BE THRU-BOLTED TO THE POLE USING 5/8" HARDWARE.

8 7 6 5 4 3 2 1



DESIGN IS PRELIMINARY AND SUBJECT TO CHANGE PENDING THERMAL/STRUCTURAL ANALYSIS

|  |                 |             |            |
|--|-----------------|-------------|------------|
| ORDER/QUOTE #  | 19-4671         | DATE        | 11/29/2018 |
| DESCRIPTION  | MROAR 025581    | DRAWN BY:   | RDM        |
| SCALE  | AS SHOWN        | CHECKED BY: |            |
| <p><b>Sabre Industries</b></p> <p><b>CONFIDENTIAL INFORMATION</b></p> <p>THIS DOCUMENT AND THE INFORMATION CONTAINED HEREIN ARE THE SOLE PROPERTY OF SABRE COMMUNICATIONS CORPORATION. IT IS TO BE USED ONLY FOR THE PURPOSES SPECIFIED IN THIS ORDER. NO PART OF THIS DOCUMENT IS TO BE REPRODUCED, COPIED, OR TRANSMITTED IN ANY FORM OR BY ANY MEANS, WITHOUT THE WRITTEN CONSENT OF SABRE COMMUNICATIONS CORPORATION. ALL RIGHTS RESERVED.</p> |                 |             |            |
| CUSTOMER/CLIENT  | MASTECCRAN ROAR | SHEET OF    | 2 2        |

D C B A